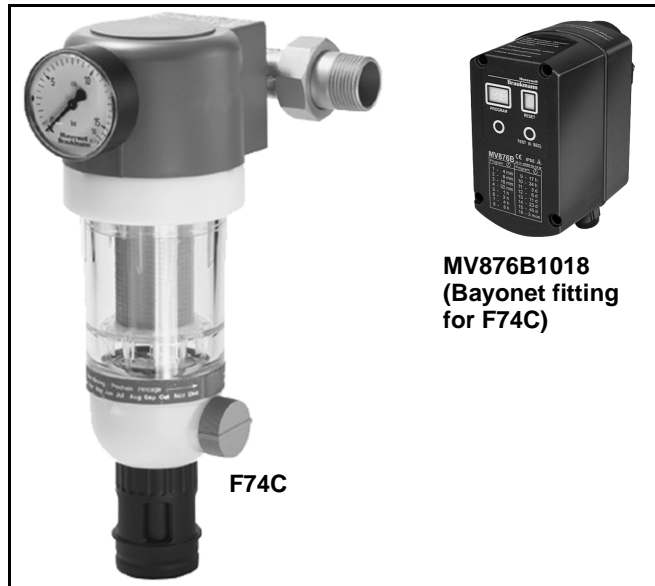


Braukmann F74C Reverse Rinsing Filter; MV876 Automatic-Backwash Controls

PRODUCT DATA



**MV876B1018
(Bayonet fitting
for F74C)**

F74C

APPLICATION

The F74C Reverse Rinsing Water Filters, used at point-of-entry (POE) to remove sediment and debris from residential or commercial water systems, ensure a continuous supply of filtered water. The fine filter prevents the ingress of foreign bodies, such as rust particles and grains of sand. Both horizontal and vertical installations are possible. The flow, filtering capacity and ease of cleaning make the F74C the ideal filter for the most demanding applications. Both horizontal and vertical installations are possible.

The MV876 Automatic-Backwash Control is available as an accessory. This control is fitted to the drain valve and is programmed by the user to automatically perform the backwash function according to the desired interval.

FEATURES

F74C

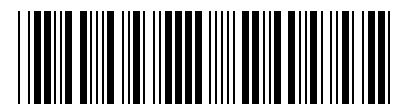
- Built-in backwash impeller provides efficient cleaning with supply pressures as low as 22 psi.
- Robust backwash mechanism.
- No shut-off or disassembly is required for cleaning.
- During backwash, the F74C continues to supply filtered water without interruption through a secondary screen.
- Memory ring indicates when the next manual backwash is due.
- Bayonet connection enables simple retrofitting of reverse rinse actuator.
- Can be installed on vertical or horizontal piping.

MV876B

- Bayonet fitting simplifies upgrade to automatic backwash.
- 16 field-selectable backwash intervals (from every four minutes to once every three months) eliminate need for external timer.
- Connections for external control on the MV876 provide for use in automated systems and differential pressure control.
- MV876 can be manually activated to initiate backwash.
- Battery (AA) backup to insure completion of backwash cycle in spite of power loss.

Contents

Application	1
Features	1
Specifications	2
Ordering Information	2
Planning the Installation	4
Installation	5
Wiring	7
Operation	8
F74C Replacement Parts List (See Fig. 16).	10



SPECIFICATIONS

IMPORTANT

The specifications given in this publication do not include normal manufacturing tolerances. Therefore, units may not exactly match the listed specifications. Also, products are tested and calibrated under closely controlled conditions, and some minor differences in performance can be expected if those conditions are changed.

F74C:

Models:

Water filters with 100 micron screens and hose connections.

F74C1015: 3/4 in. sweat and NPT threaded tailpieces.

F74C1023: 1 in. sweat and NPT threaded tailpieces.

Materials of Construction:

Body: Engineered plastic.

Inlet/Outlet Adapter: Bronze.

Sump: Engineered plastic.

Screen: Stainless steel.

Internal Construction: Acetal copolymer.

Seals: NBR.

Ball Valve: Brass with PTFE seals.

Inlet Pressure:

Minimum: 22 psi (with unrestricted backwash discharge).

Maximum: 232 psi.

Medium: Water.

Maximum Operating Temperature:

86°F (30°C).

Pipe Size: 3/4 in. and 1 in.

Mounting Position: For vertical or horizontal (filter bowl always downwards).

Dimensions: See Fig. 1 and Table 1.

Weight:

3/4 in.: 6 lb (2.7 kg).

1 in.: 7 lb (3.2 kg).

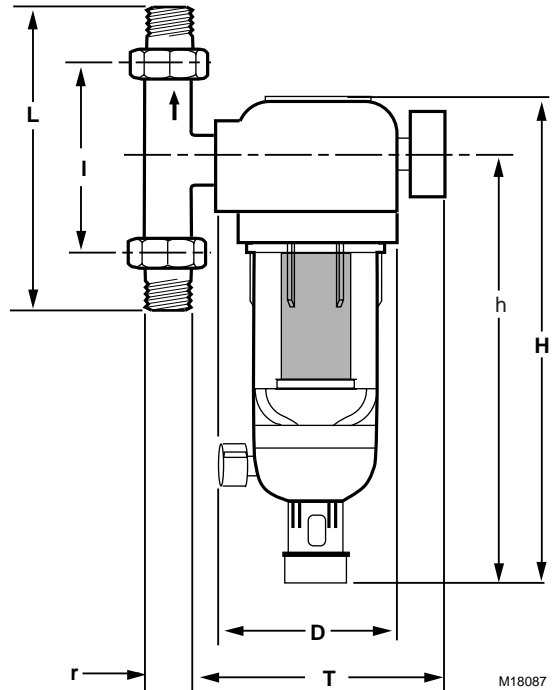


Fig. 1. Dimension drawing of F74C.

Table 1. Dimensions of F74C in in. (mm).

Dimension	Connection Size	
	3/4	1
H	12-13/16 (324)	12-13/16 (324)
h	11-3/16 (285)	11-3/16 (285)
L	6-3/8 (162)	7-1/4 (184)
l	3-9/16 (90)	3-15/16 (100)
D	4-1/8 (105)	4-1/8 (105)
r	1-1/16 (27)	1-1/16 (27)
t	2-5/8 (66)	2-5/8 (66)
T	5-5/16 (150)	5-5/16 (150)

ORDERING INFORMATION

When purchasing replacement and modernization products from your TRADELINE® wholesaler or distributor, refer to the TRADELINE® Catalog or price sheets for complete ordering number.

If you have additional questions, need further information, or would like to comment on our products or services, please write or phone:

1. Your local Home and Building Control Sales Office (check white pages of your phone directory).
2. Home and Building Control Customer Relations
Honeywell, 1885 Douglas Drive North
Minneapolis, Minnesota 55422-4386 (800) 328-5111

In Canada—Honeywell Limited/Honeywell Limitée, 35 Dynamic Drive, Scarborough, Ontario M1V 4Z9.

International Sales and Service Offices in all principal cities of the world. Manufacturing in Australia, Canada, Finland, France, Germany, Japan, Mexico, Netherlands, Spain, Taiwan, United Kingdom, U.S.A.

Operating Pressure Drop Versus Flow:

See Fig. 2.

Maximum recommended: 3 psi to 7 psi (with clean screen).

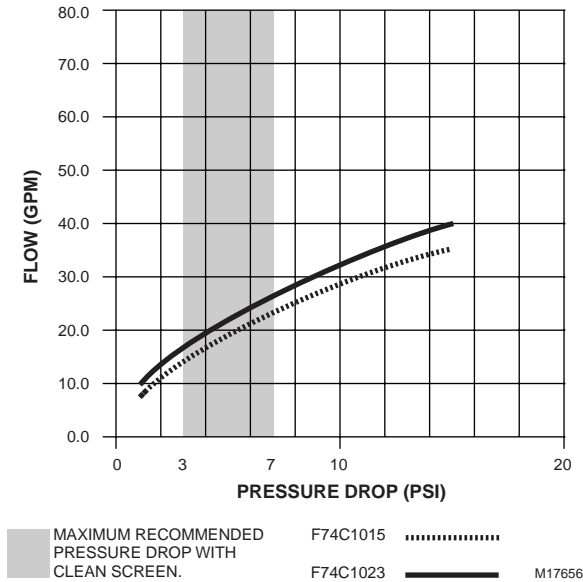


Fig. 2. F74C Pressure drop vs. flow.

Connections: Union on inlet and outlet: External NPT threaded or sweat. Inlet/outlet assembly can be rotated to fit on vertical or horizontal piping.

Screen Sizes:

Shipped with Device: 100 microns.

MV876 Automatic-Backwash Control:

MV876B1018: Bayonet mounted shaft of 24 Vac motor and timer replaces ball valve manual control for automatic backwash at preprogrammed intervals. 24V transformer not included. For use with F74C and F76S Filters only.

Specifications:

Power: 4 VA.
 Current: 170 mA.
 Voltage: 24 Vac.
 Cycle time: 20 seconds (approximate).
 Timer: Variable. See Table 3.

Accessories for F74C:

- AF74-1A Replacement filter assembly for F74C, 3/4 in. and 1 in., 100 micron; includes the filter insert complete (O-ring, mesh with mesh support, impeller), sump O-ring (mounted between the filter housing and the sump).
- KF74-1A Replacement sump assembly for the F74C; includes the sump assembly complete (ball valve, plastic air gap adaptor), sump O-ring (mounted between the filter housing and the sump).
- TBD Opaque sump cover for F74C 3/4 in. and 1 in.
- U76S5015 3/4 in. sweat tailpiece.
- U76S5023 1 in. sweat tailpiece.
- U76T1014 3/4 in. NPT tailpiece.
- U76T1022 1 in. NPT tailpiece.
- 901444 Union gasket for F74; 3/4 in., 10 gaskets in package.

Table 2. Flow Capacity of F74C in Gallons per Minute (gpm).

Model	Size	Pressure Drop in psi						Cv
		1	2	3	4	5	15	
F74C1015	3/4	9.0	12.7	15.6	18.0	20.1	34.9	9
F74C1023	1	10.1	14.3	17.5	20.2	22.6	39.1	10.1

Table 3. MV876B Timer Selections.

Program Value	Backwash Interval
1	4 minutes
2	8 minutes
3	16 minutes
4	32 minutes
5	1 hour
6	2 hours
7	4 hours
8	8 hours
9	17 hours
10	34 hours
11	3 days
12	6 days
13	11 days
14	23 days
15	45 days
16	3 months

PLANNING THE INSTALLATION

The F74C should be sized based on the required flow rate and the resulting pressure drop across the filter. As a guideline for most applications, the F74C should be sized for a pressure drop between 3 psi and 7 psi.

EXAMPLE: What size F74C is required to provide a flow rate of 20 gpm? Reading Table 2 at 4 psi pressure drop, a 1 in. filter can provide 20.2 gpm without exceeding 4 psi pressure drop.

An increased pressure drop across the filter results when higher velocities are maintained to increase the capacity through any given size filter. Severe pressure drops will be encountered as capacity approaches that of the pipe size. To ensure the backwash cycle operates properly and cleaning action is not reduced, follow all recommendations in Fig. 3. Refer to Fig. 3a for an ideal installation.

NOTE: All filter installations are different. The size, type and amount of dirt and debris and the flow rate must always be considered when choosing a screen and deciding to install multiple F74C Water Filters in parallel.

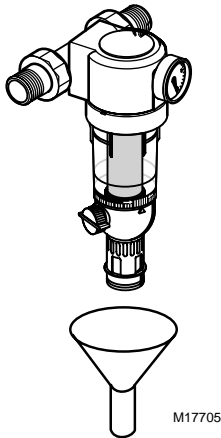


Fig. 3. Ideal F74C installation. A funnel mounted directly under the backwash port is the best installation layout.

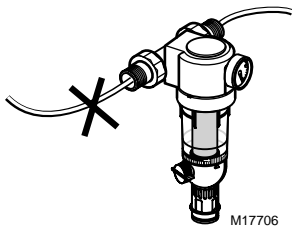


Fig. 4. Make sure the inlet pipe is not downsized. Do not use 1/4 or 3/8 inch tubing on 3/4 inch filters.

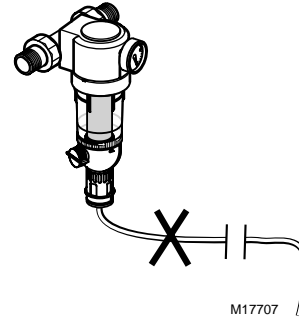


Fig. 5. Make sure the backwash outlet pipe is not downsized, long or crimped. Instead, install a short oversized pipe on the backwash outlet. Do not use a low capacity solenoid valve to automate the backwash cycle.

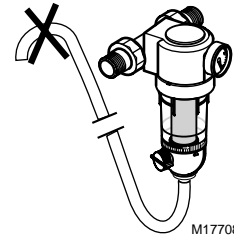


Fig. 6. Make sure the backwash outlet is not raised above the F74C. If the backwash outlet must be raised above the F74C, increase the inlet pressure 5 psi for every 10 feet that it is raised.

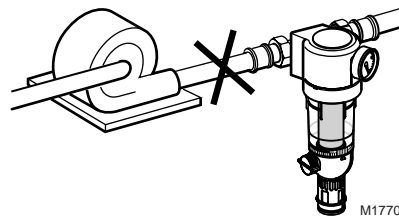


Fig. 7. Make sure the F74C is not used with an undersized pump. An undersized pump may not provide proper pressure or flow.

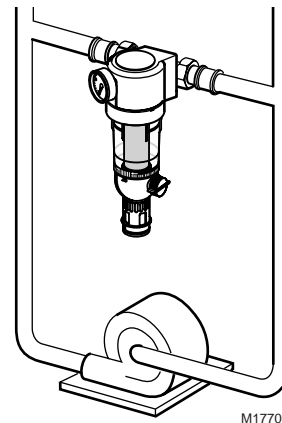


Fig. 8. Make sure the F74C is not installed in a bypass across a pump.

INSTALLATION

When Installing this product...

1. Read these instructions carefully. Failure to follow them could damage the product or cause a hazardous condition.
2. Check ratings given in these instructions and on the product to make sure the product is suitable for your application.
3. Make sure the installer is a trained, experienced service technician.
4. Use these instructions to check out product operation after installation.



CAUTION

Equipment Damage Hazard.
Excessive pressure or temperature can damage the device.

Make sure water temperature and pressure are below maximum ratings specified.



CAUTION

Equipment Damage Hazard.
Excessive heat can damage internal parts.
 Before sweat soldering, separate the tailpieces and nuts from the inlet/outlet adapter.

F74C Installation.

When installing an F74C, use the following procedure:

1. Shut off water supply by closing the water supply valve.
2. Install inlet/outlet adapter so that filter is vertical.
3. Install the F74C in the water line with the arrow pointing in the direction of water flow.

IMPORTANT

When using an MV876, stop here and install the MV876.

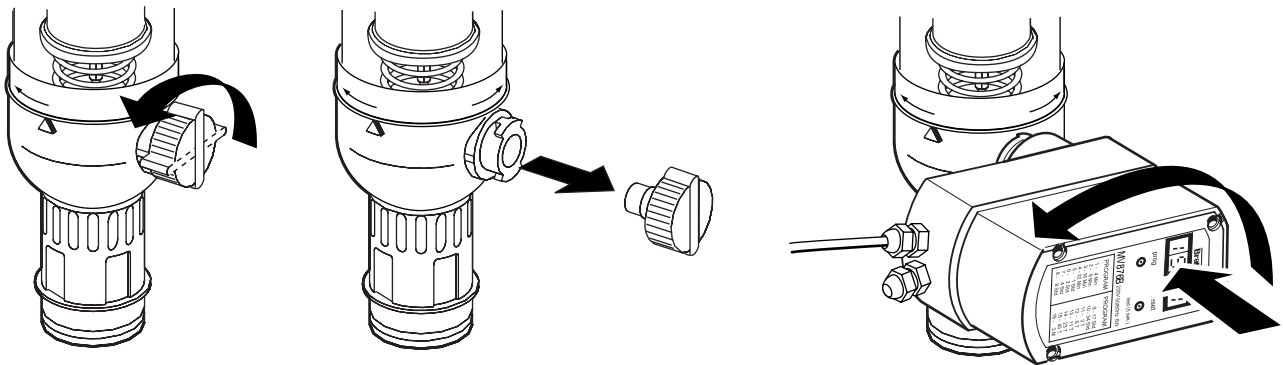
4. Open a downstream tap.
5. Slowly open the water supply valve.
6. Once the F74C sump fills with water, close the downstream tap and fully open the water supply valve.

MV876 Installation

1. Open the backwash outlet ball valve.
2. Remove the backwash outlet handle.
3. Install the MV876. See Fig. 9 and 10.

NOTE: When you rotate the MV876 on installation, it closes the backwash outlet ball valve.

4. Connect the MV876 to a 24 Vac power supply. See fig. 14.
5. Open a downstream tap.
6. Slowly open the water supply valve.
7. Once the F74C sump fills with water, close the downstream tap and fully open the water supply valve.
8. Program the desired backwash interval by pushing the program button until the desired interval number appears in the display.



M16481

Fig. 9. Installing the MV876.

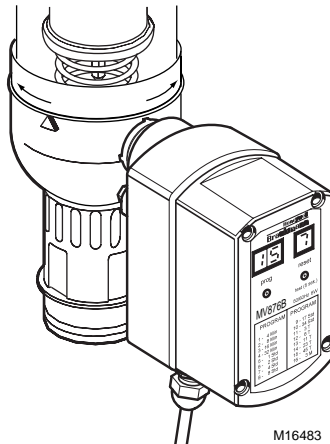


Fig. 10. Final position of MV876 and F74C.

As the F74C operates, screens become plugged. Backwash the F74C when the pressure gauge measures about five psi lower than when first installed. However, each installation is different. Residential applications can require backwash only once a week, or once every few weeks.

NOTE: For residential applications, backwashing the F74C once a week, regardless of need, is an excellent guideline to follow to ensure F74C peak operating efficiency.

Fitting Batteries and Fuses

The batteries (not included) provide power to the MV876 in the event of a power loss. This is desirable, especially when power loss occurs during the reverse rinsing cycle. To provide this, the MV876 requires four AA alkaline batteries. Install these batteries in the cover of the MV876 as follows:

CAUTION

Electrical Shock or Equipment Damage Hazard. Can shock individuals or short equipment circuitry.

Disconnect power supply before installing the batteries or fuses.

1. Unscrew the four housing screws and set them aside. See Figure 11.

IMPORTANT

Make sure the connecting cable is protected from damage when the MV876 cover is removed.

2. Remove the MV876 cover. See Fig. 11.
3. Insert four AA alkaline batteries. See Fig. 12.
4. Replace the cover.
5. Replace and tighten the four housing screws.

NOTE:

1. To avoid unnecessary battery drainage, connect the MV876 to power as soon as possible after inserting new batteries.
2. To ensure the availability of battery power, replace the batteries after a power loss.

If the 800 mA fuse blows, replace it as follows:

CAUTION

Electrical Shock or Equipment Damage Hazard. Can shock individuals or short equipment circuitry.

Disconnect power supply before installing the batteries or fuses.

1. Unscrew the four housing screws and set them aside (see Fig. 11).

IMPORTANT

make sure that the connecting cable is protected from damage while the MV876 cover is removed.

2. Remove the MV876 cover.
3. Remove and discard the old fuse (see Fig. 13).
4. Insert a new 800 mA fuse.
5. Replace the cover.
6. Replace and tighten the four housing screws.
7. Reconnect the power supply.

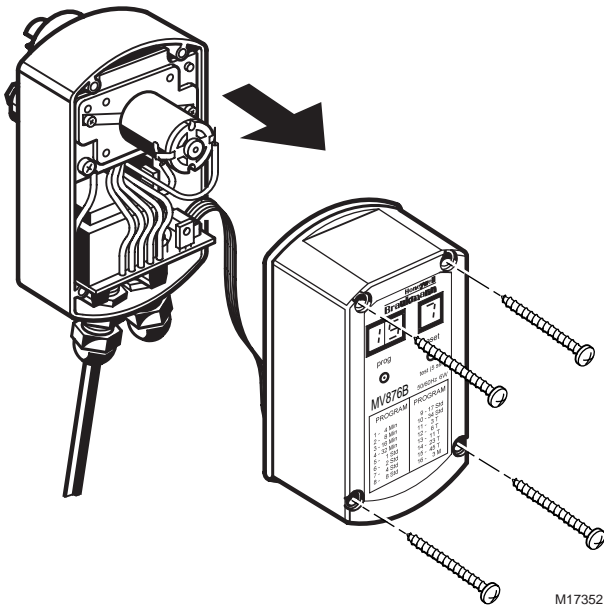


Fig. 11. Removing the MV876 cover.

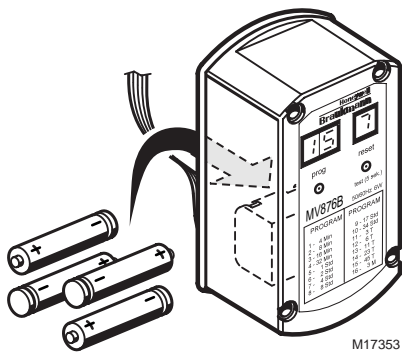


Fig. 12. Installing batteries in the MV876.

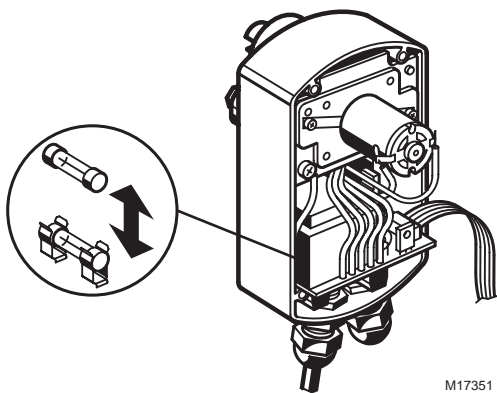


Fig. 13. Replacing the MV876 fuse.

WIRING

⚠ CAUTION

Electrical Shock or Equipment Damage Hazard. Can shock individuals or short equipment circuitry.

Disconnect power supply before wiring.

IMPORTANT

All wiring must comply with applicable codes and ordinances.

MV876

Mount the 24 Vac transformer and wire as shown in Fig. 14.

Reconnect power to the system. When the system is powered, the MV876 will run through one backwash cycle (approximately 20 seconds).

Set MV876 backwash interval to the desired setting. See the Operation section.

Check MV876 operation by interrupting primary power to the transformer. When power is switched back on, the MV876 will backwash the F74C once.

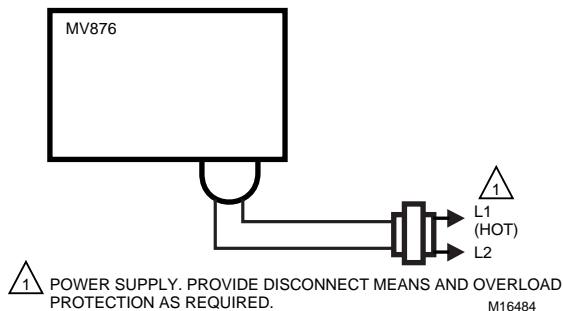


Fig. 14. Wiring diagram for F74C with MV876.

OPERATION

The F74C Water Filter removes sediment and debris from the water using an upper and lower screen. During normal operation, no water passes through the upper screen. Water is filtered as it flows through the lower screen. See Fig. 15a.

With continued operation, the lower screen becomes obstructed, reducing efficiency and creating a pressure drop across the F74C. Backwash the F74C periodically. Suggested interval is either once a week (residential applications) or when the pressure gauge measures about five psi lower than the pressure when initially installed (with similar flow).

To backwash the F74C manually, open the backwash outlet on the F74C bottom. This forces the entire filter insert downward. Water flow to the lower screen outer side is blocked. The upper filter removes sediment and debris from the water. Some of the water passing through the upper screen is directed through the impeller to backwash the lower screen (from inside to outside). Remaining filtered water meets the needs downstream.

Water jets from the rapidly spinning impeller enhance the reversed water flow. The reverse flow removes trapped sediment and debris from the lower filter. This sediment drains out the backwash outlet. Cleaning the lower screen requires approximately 20 seconds. See Fig. 15b.

The F74C requires no maintenance, in most applications, if backwashed at the proper interval.

Determining Backwash Interval

All F74C applications are different and require backwashing at different intervals. Backwash intervals depend directly on:

- The level and type of sediment in the local water supply.
- Water usage.

EXAMPLE: In northern states, water usage is higher in summer months than in winter months due to lawn watering in the summer. Therefore, the F74C should be backwashed more often in summer months than in winter months.

By accurately determining a proper backwash interval, the F74C will operate at a higher efficiency.

To determine the F74C backwash interval:

1. Backwash the system once to ensure the lower screen is clean.
2. The pressure gauge needle measures outlet pressure. With clean screens, inlet pressure should never be more than 7 psi higher than the outlet pressure.
3. Record the date, time and pressure reading.
4. Monitor the F74C closely. Over time, the screens become obstructed and the outlet pressure drops.

NOTE: The F74C requires a backwash when the pressure measures about five psi lower than the inlet pressure did when initially installed (at approximately the same water flow). Installations do vary and can require a backwash at different times.

5. Record the date, time and pressure again. Residential applications can require an F74C backwash only once every few weeks to once per week.
6. Backwash the F74C regularly at the determined interval. Weekly is recommended for residential applications. A backwash can be done manually or automatically:
 - a. Manual backwash: Open the backwash outlet for approximately 30 seconds.

NOTE: The amount of time required varies among installations. However, 30 seconds is the standard guideline to clean the lower screen.

- b. Automatic backwash: Install an M876 Automatic Backwash Valve and select the backwash interval. See the Operation section.

NOTE: Backwashing more frequently than actually required will not harm the system or the filter.

a. F74C DURING NORMAL FLOW

b. F74C DURING BACKWASH CYCLE

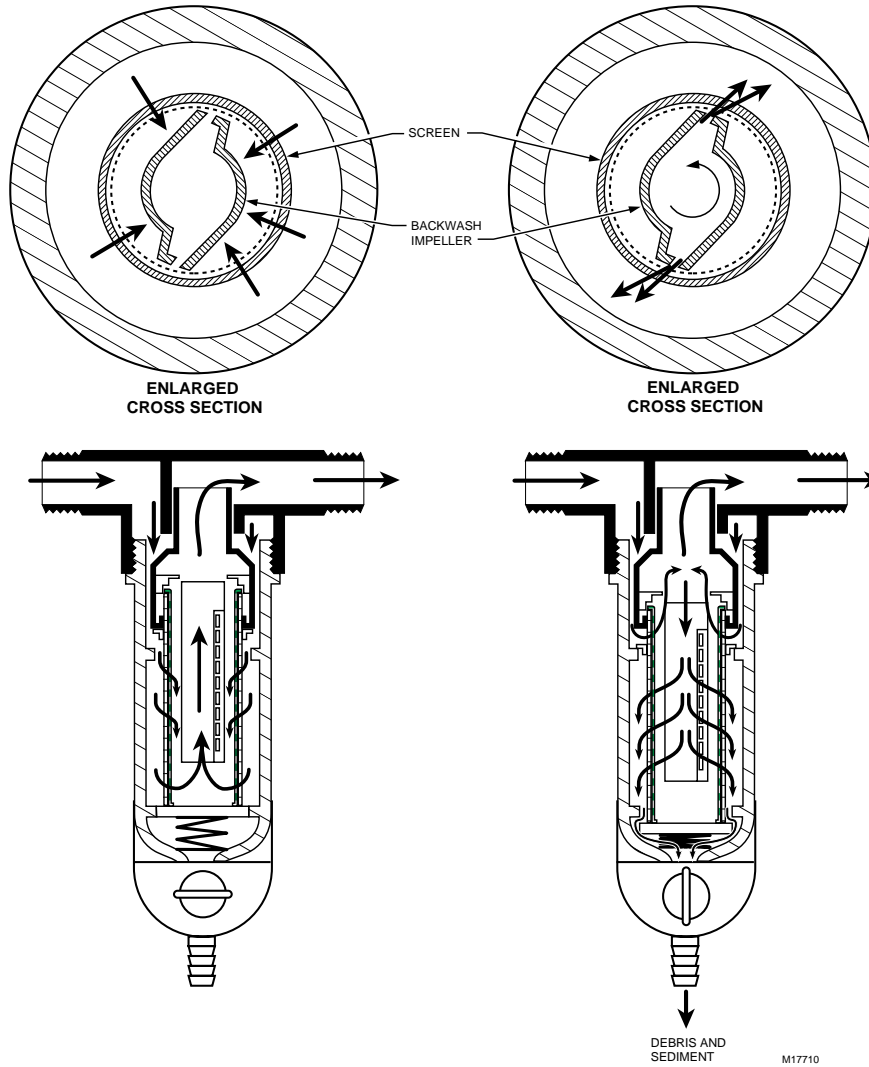
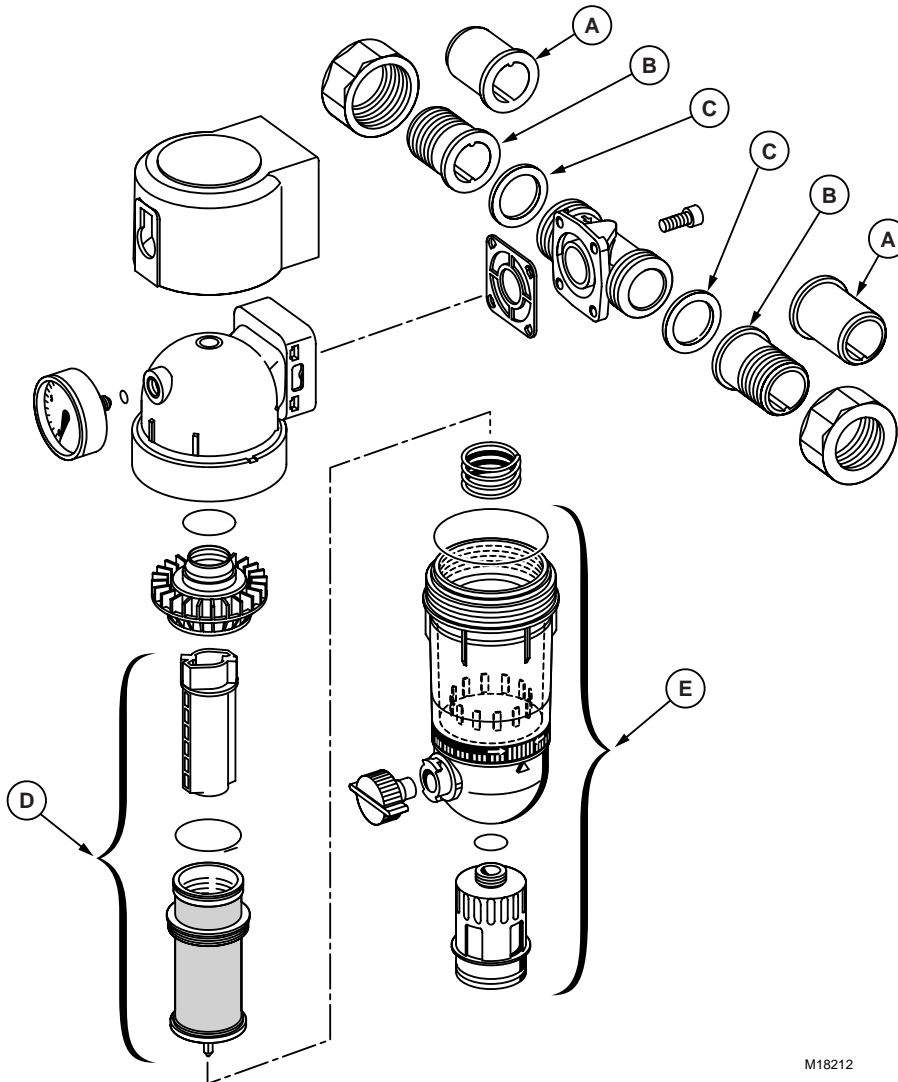


Fig. 15. Water flow through the F74C.

F74C REPLACEMENT PARTS LIST (SEE FIG. 16).

Table 4. Parts and Accessories for F74C.

Part Number	Letter in Fig. 16	Description	Contents
U76S5051	A	3/4 in. sweat tailpiece	Tailpiece
U76S5023	A	1 in. sweat tailpiece	Tailpiece
U76T1014	B	3/4 in. NPT tailpiece	Tailpiece
U76T1022	B	1 in. NPT tailpiece	Tailpiece
901444	C	Union gasket, 3/4 in.	10 gaskets in package
901445	C	Union gasket, 1 in.	10 gaskets in package
AF74-1A	D	Replacement filter assembly for F74C, 3/4 in. and 1 in., 100 micron.	Includes the filter insert complete (O-ring, mesh with mesh support, impeller), sump O-ring (mounted between the filter housing and the sump).
KF74-1A	E	Replacement sump assembly for F74C	Includes the sump assembly complete (ball valve, plastic air gap adaptor), sump O-ring (mounted between the filter housing and the sump).



M18212

Fig. 16. F74C Exploded View. parts are keyed to F74C Replacement parts List.

Honeywell

Home and Building Control

Honeywell
1985 Douglas Drive North
Golden Valley, MN 55422

Home and Building Control

Honeywell Limited-Honeywell Limitée
35 Dynamic Drive
Scarborough, Ontario
M1V 4Z9

